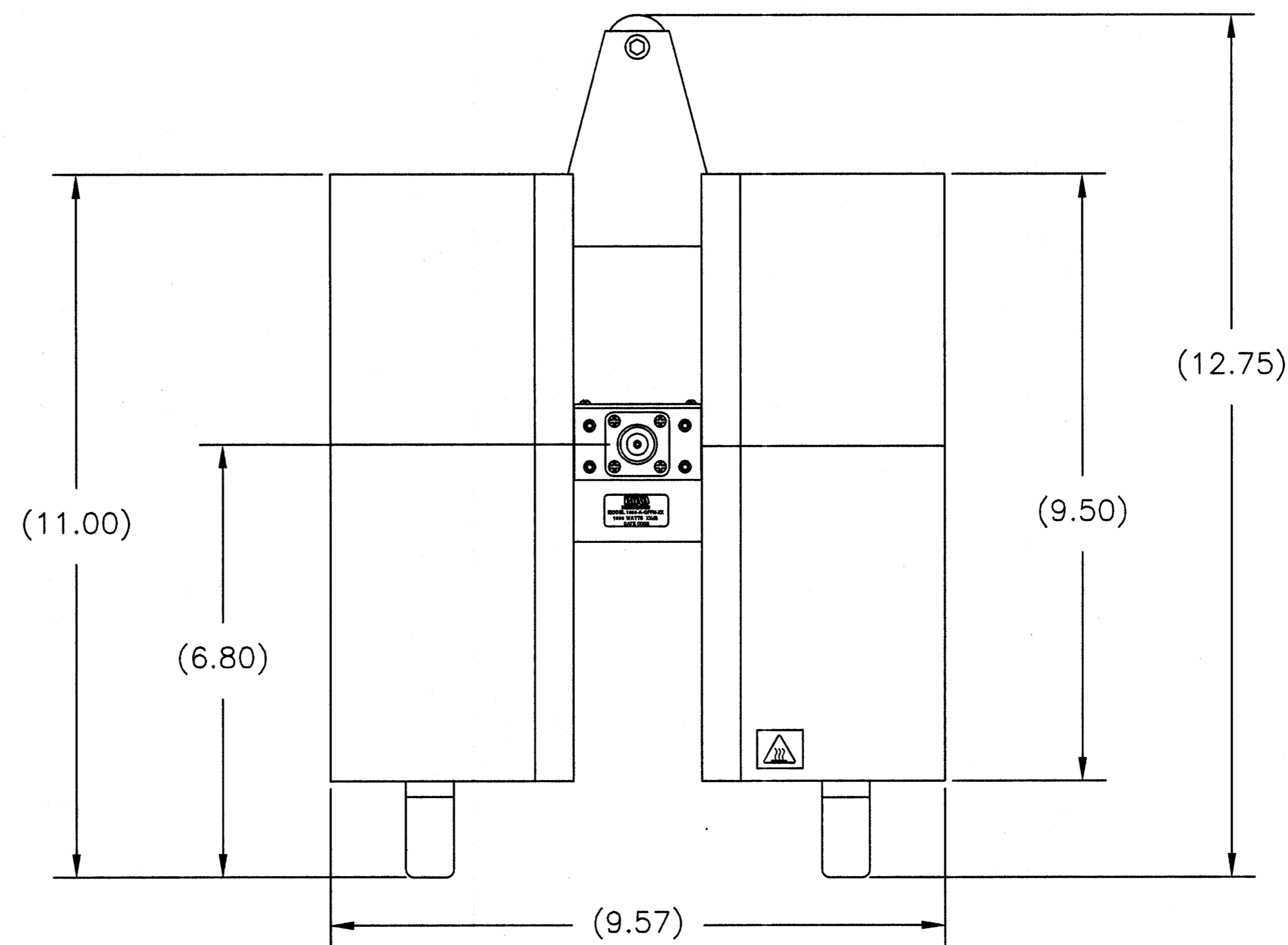
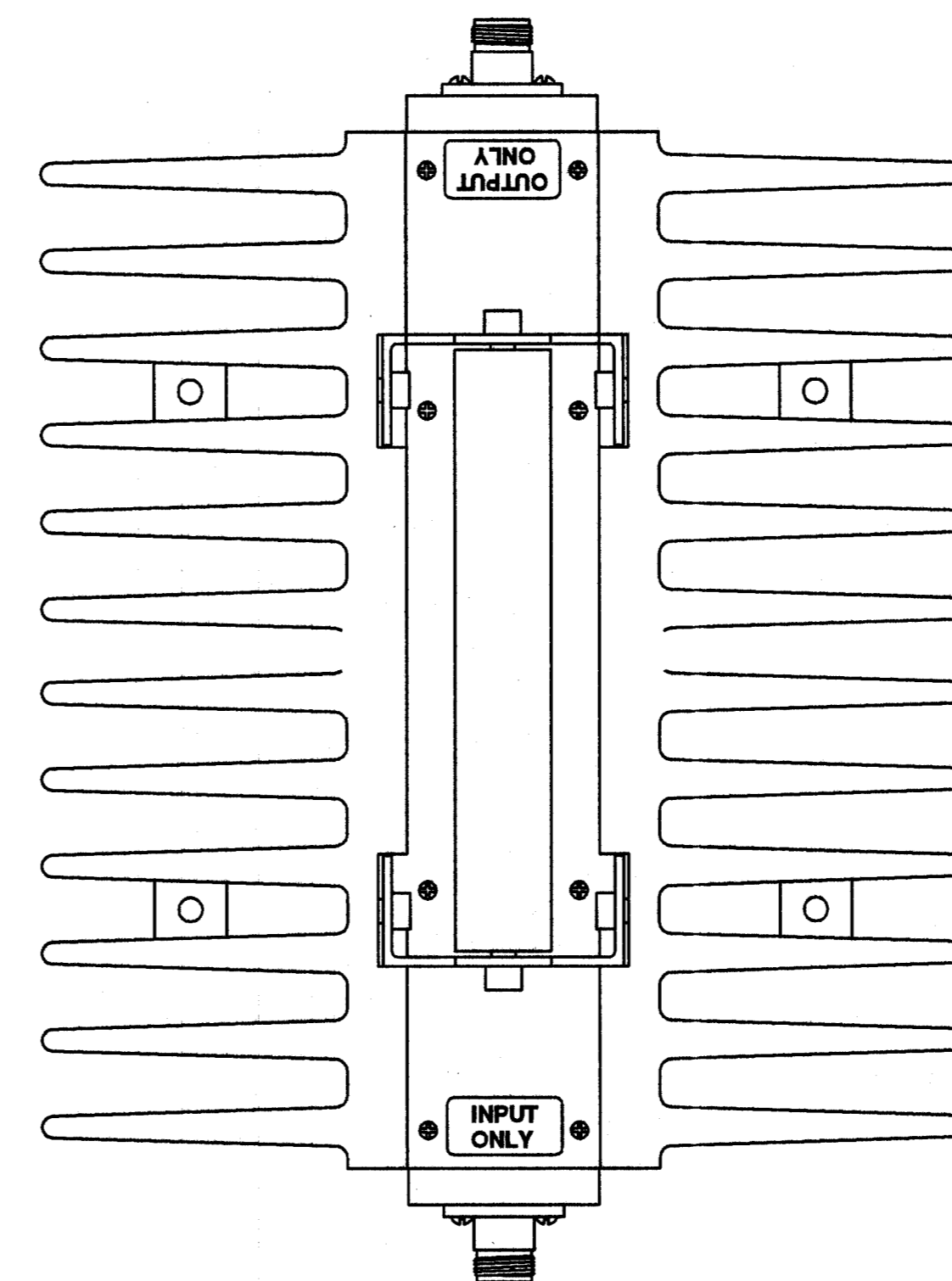
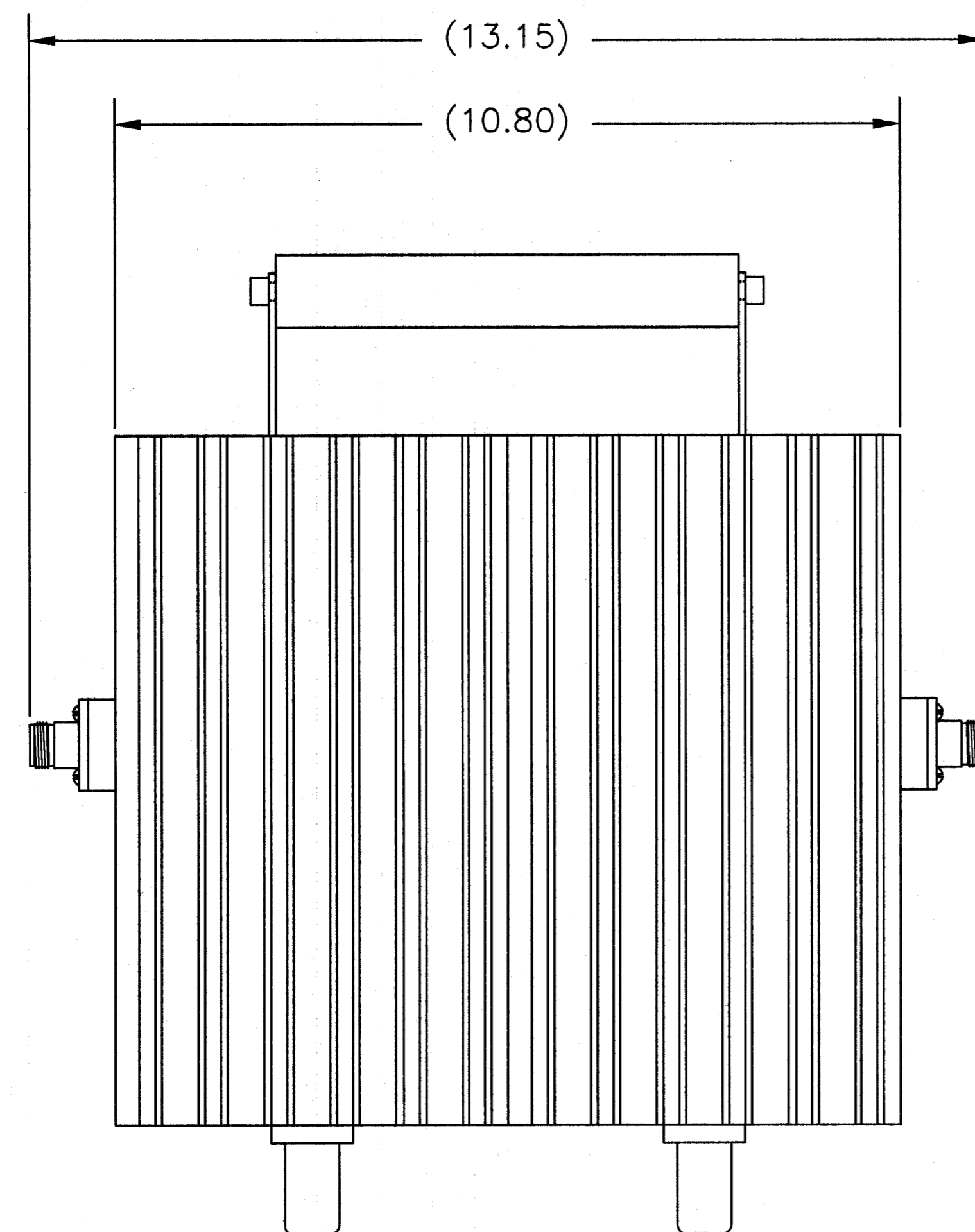


SPECIFICATIONS:
 POWER RATING: 1000 WATTS AVG. AT 25°C. (UNI-DIRECTIONAL)
 DERATED LINEARLY TO 50 WATTS AT 125°C
 IMPEDANCE: 50 OHMS NOMINAL
 FREQUENCY RANGE: DC TO 2.4GHz
 VSWR: DC TO 1GHz AT 1.10:1 MAX.
 1GHz TO 2.4 GHz AT 1.25:1 MAX.
 AMBIENT TEMPERATURE: -40°C TO +40°C
 COOLING FIN: ALUMINUM, BLACK ANODIZED
 COVER: ALUMINUM, BLACK ANODIZED
 CONNECTORS: "QC" N-TYPE FEMALE
 OPERATING POSITION: AS SHOWN (VERTICALLY)
 NOMINAL SIZE: APPROX. 13.15" L X 12.75" H X 9.57" W
 WEIGHT: APPROX. 26.5 LBS

REVISIONS				
ZONE	REV	DESCRIPTION	DATE	APPROVED
A		CONVERT TO BEC FORMAT	DMR 2-3-03	<i>MAR</i>



NOTE:
 FOR VALUES NOT LISTED, REFER TO THE NEXT HIGHER ATTENUATION LEVEL FOR SPECIFICATIONS. FOR ATTENUATION VALUES GREATER THAN THE HIGHEST LISTED ATTENUATION VALUE, REFER TO THE VALUE 1/2 THE DESIRED ATTENUATION LEVEL, THEN DOUBLE THE LISTED SPECIFICATION VALUES, UNLESS OTHERWISE SPECIFIED.

DASH NO.	dB ATTN.	ATTENUATOR DC - 1GHz	ACCURACY ±dB 1 - 2.4GHz
-30	30	±1.0	-0.5dB/+1.5dB
-20	20	±0.6	-0.5dB/+1.5dB
-10	10	±0.6	-0.5dB/+1.5dB
-06	6	±0.6	-0.5dB/+1.2dB
-03	3	±0.5	-0.5dB/+1.0dB

NOTE: ELECTRICAL SPECIFICATIONS FOR QC-EQUIPPED PRODUCTS ARE QUOTED WITH THE STANDARD CONNECTORS NORMALLY SUPPLIED WITH THE EQUIPMENT (N-TYPE FEMALE).

DIMENSIONS HEREON ARE FOR CUSTOMER CONVENIENCE AND REFERENCE ONLY. TOLERANCE TO BE APPLIED ONLY WHERE INDIVIDUALLY STATED ON THE RESPECTIVE DIMENSION. -DO NOT SCALE DRAWING-

UNLESS OTHERWISE SPECIFIED DIMENSIONS ARE IN INCHES
 TOLERANCES ARE:
 FRACTIONS DECIMALS ANGLES
 ± 1/64 .005 ± 0.010 ± 30'
 .003 ± 0.005
 DO NOT SCALE DRAWING

THIS DRAWING IS THE PROPERTY OF THE BIRD ELECTRONIC CORPORATION. THE DESIGNS AND SPECIFICATIONS DISCLOSED HEREON ARE PROPRIETARY AND SHALL NOT BE REPRODUCED, NOR COPIED, NOR USED AS THE BASIS FOR THE MANUFACTURE OR SALE OF APPARATUS OR DEVICES WITHOUT THEIR EXPRESS WRITTEN CONSENT.



APPROVALS		DATE	TITLE
DRAWN	D.M.RINK	2-3-03	ATTENUATOR, CONVECTION COOLED VERTICAL, "QC" N-TYPE FEMALE, 1000W
CHECKED			
APPROVED	<i>MAR</i>	6-15-03	
MATERIAL		DATE	TITLE
FINISH		SCALE	SHEET
		1:1	1 OF 1

DWG NO. 1000-A-QFFN-XX A